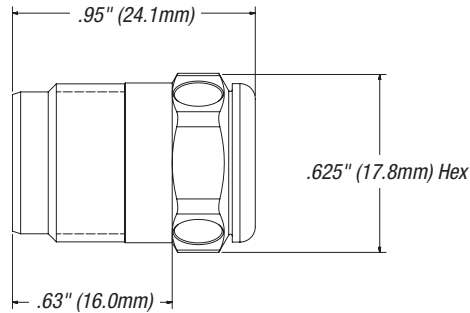


## Pressure Relief Devices



P625-19X9-XXX

### Ordering Information

| Pressure Relief Device                  |  |   | -XX | Cylinder Working Pressure                  |                                      |                                | Disc Rupture Range<br>PSI @ 160° F |        |
|---|--|---|-----|--|--------------------------------------|--------------------------------|------------------------------------|--------|
| CG-1<br>Frangible Disc<br>No Fuse Metal | CG-4 *<br>Frangible Disc<br>165° F Fuse<br>Metal | CG-5 *<br>Frangible Disc<br>212° F Fuse Metal |     | D.O.T. Spec<br>3A 3AA 3AL<br>Cylinders PSI | D.O.T.<br>Exemption<br>Cylinders PSI | International<br>Cylinders Bar | Min.                               | Max.   |
| GV Low Pressure                         |  |   |     |  |                                      |                                |                                    |        |
| P625-19N9-26                            | P625-19C9-26M                                    | P625-19C9-26W                                 | -26 | 1665                                       | —                                    | —                              | 2500                               | 2775   |
| P625-19N9-28                            | P625-19C9-28M                                    | P625-19C9-28W                                 | -28 | 1800                                       | —                                    | —                              | 2700                               | 3000   |
| P625-19N9-32                            | P625-19C9-32M                                    | P625-19C9-32W                                 | -32 | 2015                                       | —                                    | —                              | 3025                               | 3360   |
| P625-19N9-35                            | P625-19C9-35M                                    | P625-19C9-35W                                 | -35 | 2265                                       | —                                    | —                              | 3400                               | 3775   |
| P625-19N9-38                            | P625-19C9-38M                                    | P625-19C9-38W                                 | -38 | 2400                                       | —                                    | —                              | 3600                               | 4000   |
| P625-19N9-39                            | P625-19C9-39M                                    | P625-19C9-39W                                 | -39 | —  | —                                    | 200                            | 3915                               | 4351   |
| P625-19N9-43                            | P625-19C9-43M                                    | P625-19C9-43W                                 | -43 | 2670                                       | —                                    | —                              | 4005                               | 4450   |
| P625-19N9-46                            | P625-19C9-46M                                    | P625-19C9-46W                                 | -46 | 2900                                       | —                                    | —                              | 4350                               | 4833   |
| P625-19N9-47                            | P625-19C9-47M                                    | P625-19C9-47W                                 | -47 | 2950                                       | —                                    | —                              | 4425                               | 4917   |
| GVHM High Pressure                      |  |   |     |  |                                      |                                |                                    |        |
| P625-19N9H-48                           | —  | P625-19C9H-48W                                | -48 | 3000                                       | —                                    | 230                            | 4500                               | 5000   |
| P625-19N9H-55                           | —  | P625-19C9H-55W                                | -55 | 3500/3600                                  | —                                    | —                              | 5250                               | 5833   |
| P625-19N9H-63                           | —  | P625-19C9H-63W                                | -63 | 4000                                       | —                                    | —                              | 6000                               | 6665   |
| P625-19N9H-65                           | —  | P625-19C9H-65W                                | -65 | —  | 4500                                 | —                              | 6075                               | 6750   |
| P625-19N9H-71                           | —  | P625-19C9H-71W                                | -71 | —  | 5000                                 | —                              | 6750                               | 7500   |
| P625-19N9H-78                           | —  | P625-19C9H-78W                                | -78 | 5000                                       | —                                    | —                              | 7500                               | 8333   |
| P625-19N9H-85                           | —  | P625-19C9H-85W                                | -85 | —  | 6000                                 | —                              | 8100                               | 9000   |
| P625-19N9H-95                           | —  | P625-19C9H-95W                                | -95 | 6000                                       | —                                    | —                              | 9000                               | 10,000 |

\* Copper disc must be used for hydrogen service.

Pressure relief devices come standard with a copper disc. For nickel disc option with CG-4 and CG-5, use an "N" in place of the "C" in the part number.

For chrome-plated CG1 PRDs, add "1" before Part Number. For example, P625-19N9H-XX becomes 1-P625-19N9H-XX.